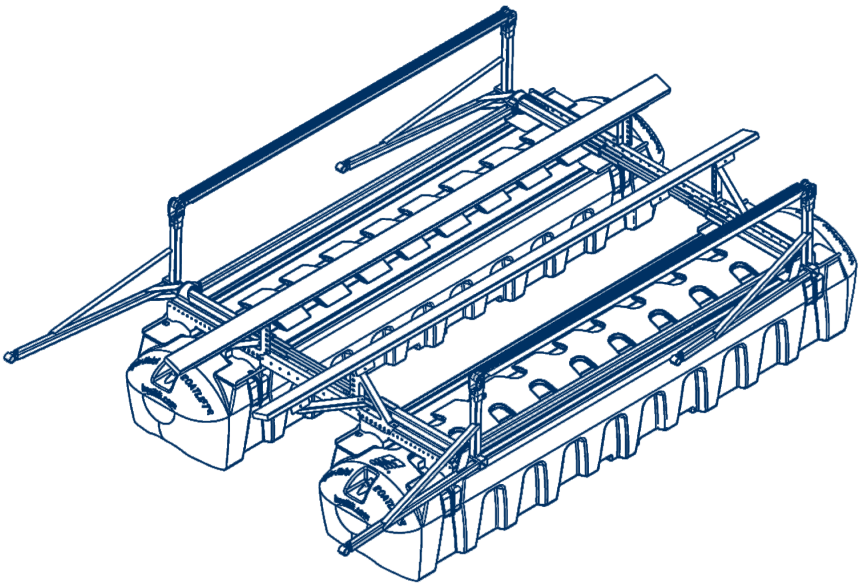




HydroHoist[®]
BOAT LIFTS

OWNER'S MANUAL

ALL MODELS



www.hydrohoist.com

Phone: (800) 825-3379 or (918) 341-6811

Email: sales1@boatlift.com

HydroHoist Marine Group

915 West Blue Starr Drive

Claremore, OK USA 74017



HYDROHOIST MARINE GROUP PRODUCT INSTALLATION AND USE WARNING DISCLAIMER

Assembly, installation or repairs of a HydroHoist boat lift should only be performed by an authorized HydroHoist technician. If assembly, installation and/or repair is performed by unauthorized persons, serious personal injury and/or property damage could occur.

If unauthorized personnel assemble, install or repair a HydroHoist boat lift, HydroHoist Marine Group hereby disclaims any and all warranties, express or implied. HydroHoist Marine Group limits its warranty to HydroHoist Marine Group's published boatlift warranty furnished with each product. No other warranty of any kind, either verbally or implied, including warranties of merchantability and fitness for a particular purpose are recognized.

The contents of this manual are subject to change without notice and should not be construed as a commitment, representation, warranty or guarantee of any method, product or device by HydroHoist Marine Group.

Reproduction or translation of any part of this manual, without the written permission of HydroHoist Marine Group, is prohibited.

Any inquiries concerning HydroHoist Marine Group's published warranty or this manual and its contents should be referred to:

HydroHoist Marine Group

915 West Blue Starr Drive, Claremore, OK USA 74017

(918) 341-6811 • Office hours: Monday-Friday, 8:00 a.m. to 5:00 p.m. CT

SAFETY NOTICE

To ensure consumer safety, HydroHoist Marine Group has installed in the control unit's electrical system an AC Ground Fault Circuit Interrupter (GFCI) device which is to be used in series with the user's primary ac power source. The GFCI is an integral part of the HydroHoist boat lift and is designed to offer a limited measure of protection to the user against hazardous electrical conditions or shocks should they occur.

WARNING!

If user disables the control unit's Ground Fault Circuit Interrupter (GFCI) Device, they are in direct conflict with the recommendations of the United States Government Consumer Products Safety Commission. Disabling the GFCI could result in severe electrical shock or death.

Before connecting AC power to the control unit, be certain that the primary AC power supply meets all applicable electrical codes.

Any inquiries concerning the Ground Fault Circuit Interrupter (GFCI) device should be referred to HydroHoist Marine Group.



CONTENTS

UltraLift™ Series: 4400-8800, Shallow Water,
Front Mount, E-Series™ **3**

UltraLift™ Series:
10,000 - 32,000 **4**

Guide Ropes Diagram **5**

Boat Lift Operation Do's and Don'ts **6**

For service or sales, your local HydroHoist DEALER is:

Or contact HydroHoist Marine Group Customer Service:
(800) 825-3379 or (918) 341-6811
www.hydrohoist.com

Date of Installation: _____

Unit Serial Number: _____



UltraLift™

SERIES

ULTRALIFT™ 4400-8800 **SHALLOW WATER** **FRONT MOUNT** **E-SERIES**

PUSH BUTTON CONTROL INSTRUCTIONS

UP/LIFT

1. Position the boat directly over the hoist using guide ropes.
2. Press the **UP** button.
3. Once the boat is fully raised and bubbles are exhausted from the tanks, press the **STOP** button.

LOWER/ LAUNCH

1. Press the **DOWN** button.
2. You can press the **STOP** button at any time to pause the lift or launch process. If you want the valve to be closed when the lift is in the lowered position; press the **STOP** button.

MANUAL CONTROL INSTRUCTIONS

LIFT

1. Position boat over lift; attach guide ropes to rear boat cleats.
2. Rotate valve handle to **LIFT/LAUNCH** and turn **Blower Switch ON**. *NOTE: If Blower does not activate reset GFCI switch.*
3. Gently push the boat back until guide ropes are taut and bow is centered over lift.
4. Release boat when lift contacts the hull.
5. When large air bubbles appear from under the tanks, turn **Blower Switch OFF** and rotate valve handle to **DRY DOCK**.

LAUNCH

1. Rotate valve handle to **LIFT/LAUNCH** position. **LEAVE BLOWER SWITCH OFF.**
2. When the boat is floating freely, rotate valve to **DRY DOCK**.
3. Remove guide ropes from boat.



UltraLift[™]

SERIES

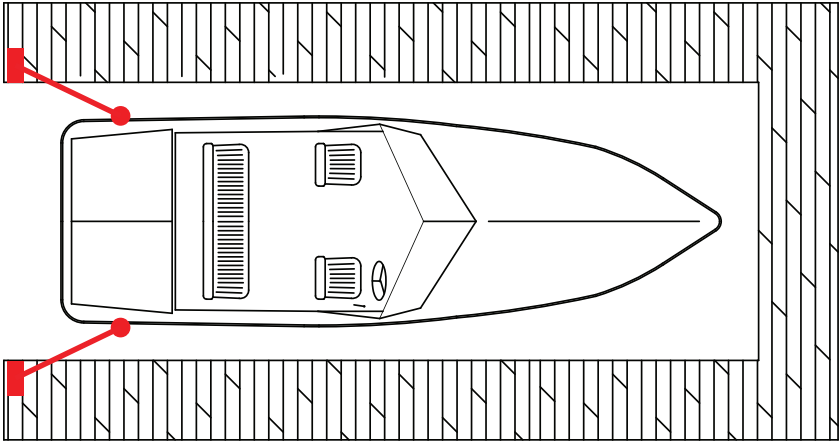
ULTRALIFT[™]
10,000-32,000

TO LIFT BOAT:

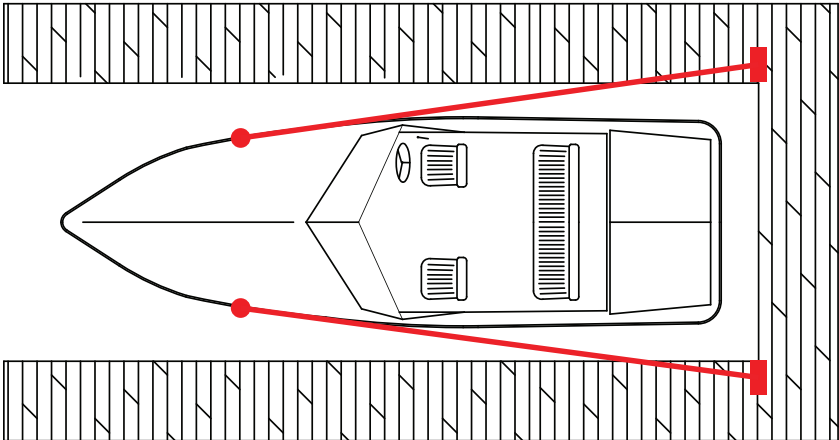
1. Position boat over lift and attach guide ropes to rear cleats of boat. Push boat back until guide ropes are taut and bow is centered over lift.
 - 2a. Two Tank Models:
With Rapid Launch handle in the down position (closed) rotate valve handles to **LIFT/LAUNCH**.
 - 2b. Three to Five Tank Models: With Rapid Launch handle in the down position (closed) rotate the two valve handles leading to the **OUTBOARD** tanks only to **LIFT/LAUNCH** - leave other valve handles in **DRY DOCK**.
 3. Both Models: **Turn Blower Switch ON.**
NOTE: If Blower does not activate, reset GFCI switch.
 4. Both Models: Release boat when lift contacts the hull.
 5. Three to Five Tank Models: When large air bubbles appear from under the outboard tanks, rotate valve handle leading to **CENTER** tank to **LIFT/LAUNCH**.
 6. Both Models: When large air bubbles appear from under all tanks, turn Blower Switch OFF and rotate all valve handles to **DRY DOCK**.
-

TO LAUNCH BOAT:

1. Raise Rapid Launch handle to the up position (open).
- 2a. Two Tank Models: Rotate valve handles to **LIFT/LAUNCH**.
- 2b. Three to Five Tank Models: Exhaust the **CENTER** tank **FIRST** Rotate to **LIFT/LAUNCH** valve handle leading to **CENTER** tank. When air can no longer be heard exhausting from **CENTER** tank, rotate valve handle leading to the **OUTBOARD** tanks to **LIFT/LAUNCH**, and rotate to **DRY DOCK** valve handle leading to **CENTER** tank. When the boat is floating freely, rotate all valve handles to **DRY DOCK**.



Example: Pull-in Guide Ropes



Example: Back-in Guide Ropes



BOAT LIFT OPERATION

| DO | DON'T |
|---|---|
| <p>Always use guide ropes. They are required for proper positioning of the boat and if they are not used (for those applications specified in this instruction manual) your warranty is void.</p> | <p>Allow anyone in the boat during the lifting or the launching operation.</p> |
| <p>Always raise the hoist if it is not used for an extended period of time (more than a day), or if the water is rough. The hoist will survive storms and rough water much better in the raised position.</p> | <p>Operate the blower with the valve closed or in the Dry-Dock position, blower damage can result.</p> |
| <p>Secure the boat to the boat dock or landing in case the hoist is accidentally lowered in your absence.</p> | <p>Start the blower while launching the boat. Only open the valve by moving it to the Lift/Launch position.</p> |
| <p>Leave your boat on the hoist during winter if you desire. Stationary ice will not damage the hoist if it is up.</p> | <p>Secure any part of the boat, boat accessories, or boat cover to the lift.</p> |
| <p>Follow the instructions in this manual and your hoist will give you years of trouble-free service.</p> | <p>Grease the hoist. Lubrication is NOT required.</p> |
| <p>Contact HydroHoist Marine Group for any additional accessories and products at www.boatlift.com.</p> | <p>Attempt to raise any boat other than the one for which the hoist was adjusted. Hoist or boat damage can occur. Your dealer can make adjustments to the hoist for a different boat.</p> |
| <p>Note: Hoist is installed as either a pull in or back in. For safe operation, the boat cannot be loaded opposite to how the hoist is installed.</p> | <p>Push back excessively on the boat while the hoist is lifting. Push back just enough to tighten the Guide Ropes and only until the hoist makes contact with the boat.</p> |



HydroHoist[®]
BOAT LIFTS

www.hydrohoist.com

Phone: (800) 825-3379 or (918) 341-6811

Email: sales1@boatlift.com

HydroHoist Marine Group

915 West Blue Starr Drive

Claremore, OK USA 74017